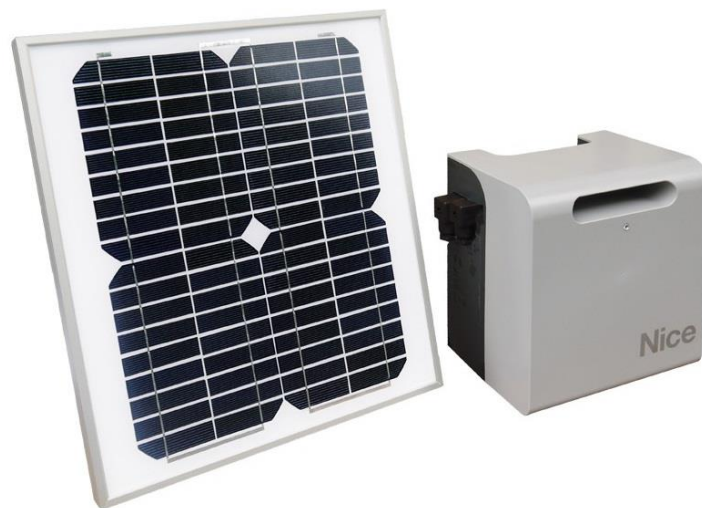


Downee

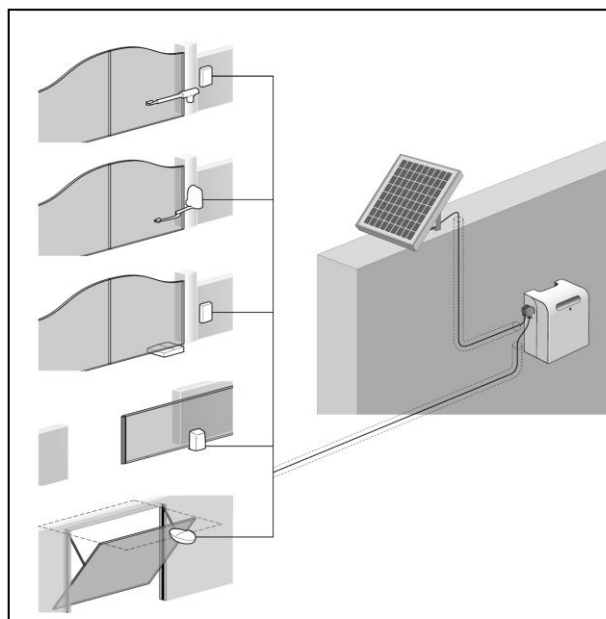
HOW TO SET-UP THE SOLE SOLAR SYSTEM KIT



Attention: This is a simplified guide on the Sole KIT and it does not substitute the full instruction manual.

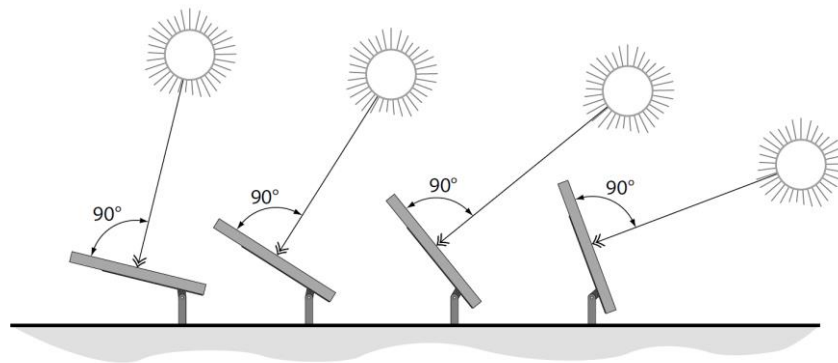
1. OVERVIEW ON SOLE KIT

Sole KIT is compatible with any 24V NiceHome automation and it's a perfect solution when the main 240V power is not present near the gate motor.



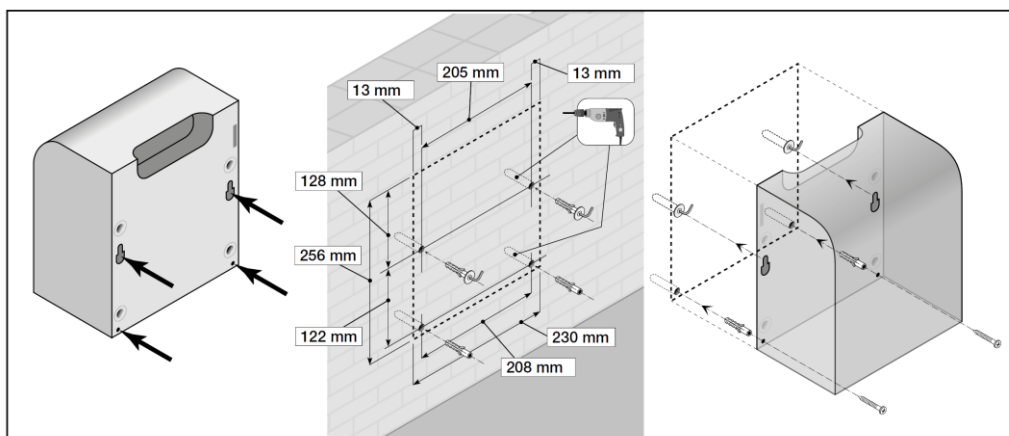
2. MOUNTING THE SOLAR PANEL

Make sure the solar panel is mounted in a place where the sunlight is guaranteed throughout the panel and during the entire day. This depends on your location and the time of the year (summer or winter).



3. MOUNTING THE BATTERY KIT

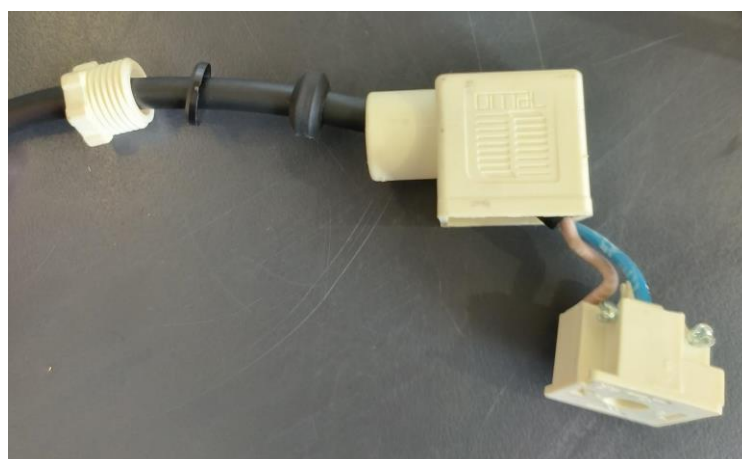
The battery box can be mounted directly on the wall or, it can be hooked by using the middle pre-made holes.



4. WIRING THE SOLAR PANEL

The solar panel comes with a pre-wired two core cable on the panel side (**blue** is the positive [+] and **brown** is the negative [-]). The other end of the cable needs to be wired on the **WHITE** plug.

On the cable, slide in the gland, the washer, the rubber seal and the white plug as per photo below.

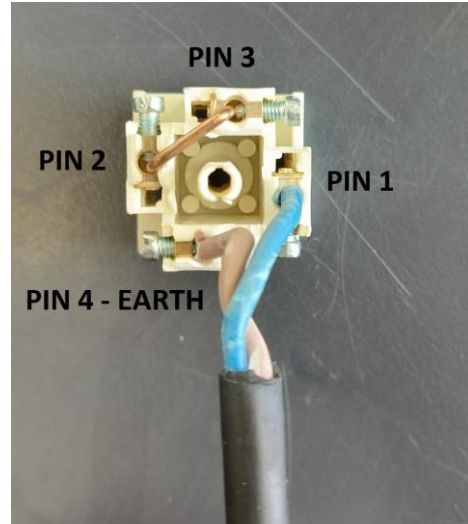
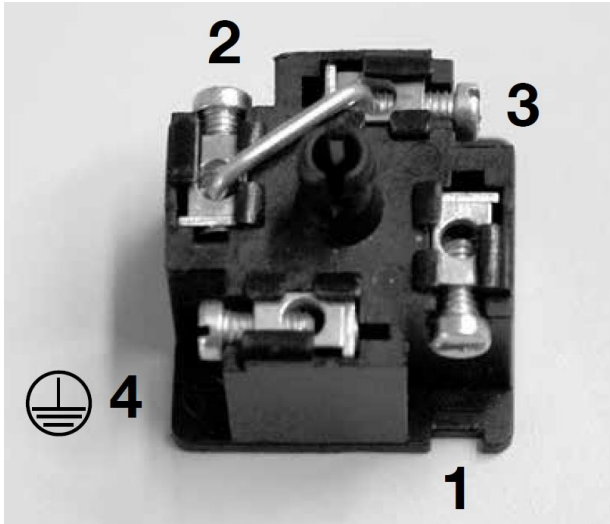


With a screwdriver, connect the blue & brown wires on the white plug as per instructions below:

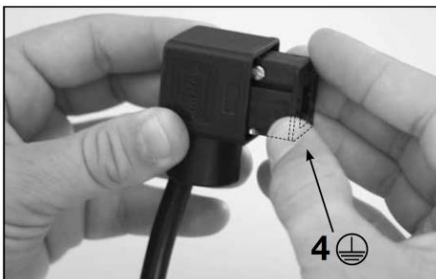
Pin 1 → Connect the **blue** wire.

Pin 2 & Pin 3 are linked together from the factory.

Pin 4 / Earth → Connect the **brown** wire.



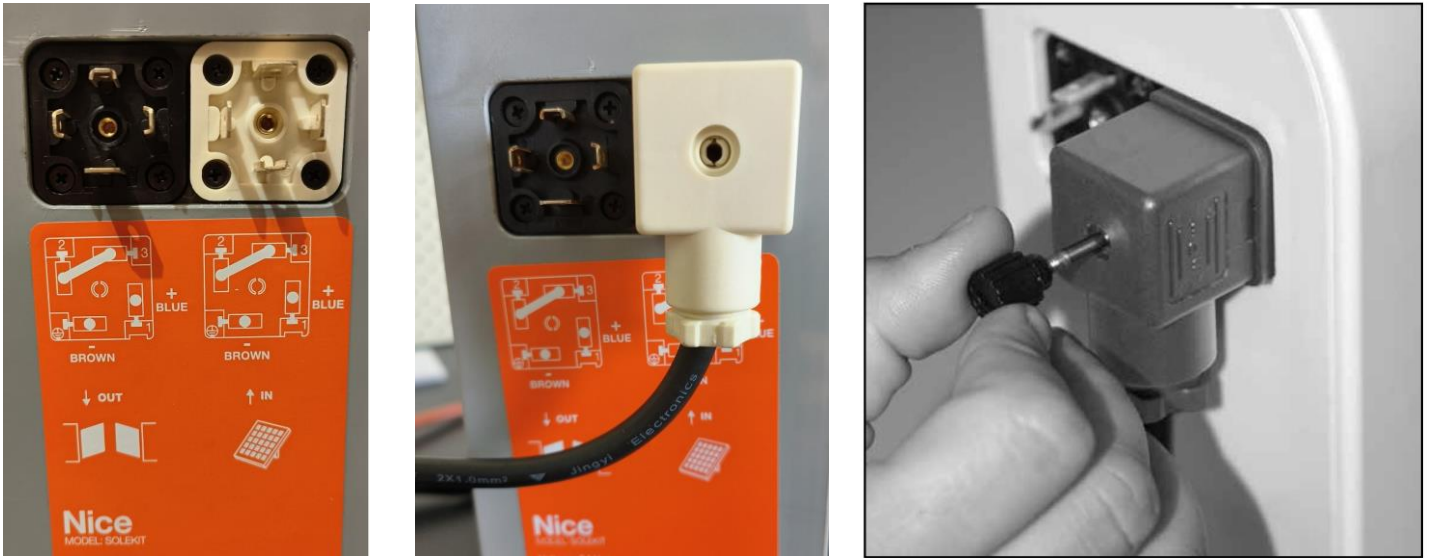
Carefully insert the white plug on its housing making sure that PIN 4 is at the bottom and gently pull down the cable to help the plug settling in place. Once it's in, settle in place the rubber seal and the washer and tighten the cable gland.



Insert the protective rubber on the plug.



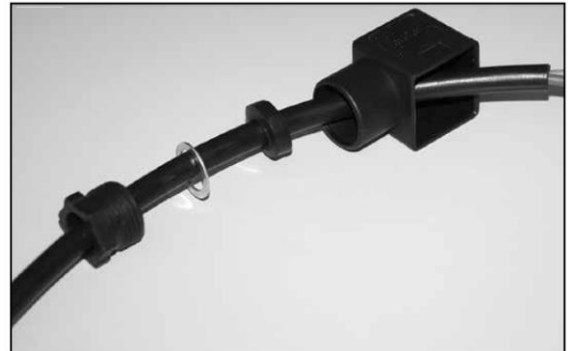
Connect it on the solar box (white plug) and tighten the screw to secure it in place.



5. WIRING THE BATTERY KIT

The battery box comes with a pre-wired cable on one side and it's ready to be plugged into the control board. The other end of the cable (which has two core cables, one **brown** and one **blue**) needs to be wired on the **BLACK** plug.

On the cable, slide in the gland, the washer, the rubber seal and the black plug ad per photo below.

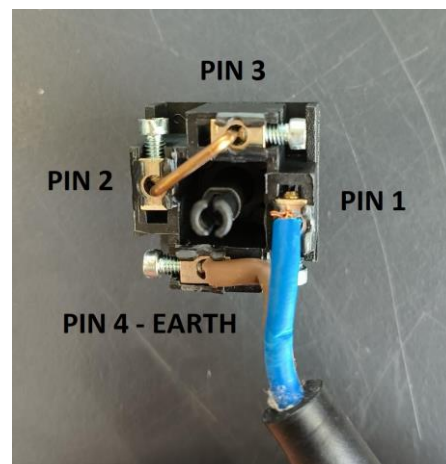
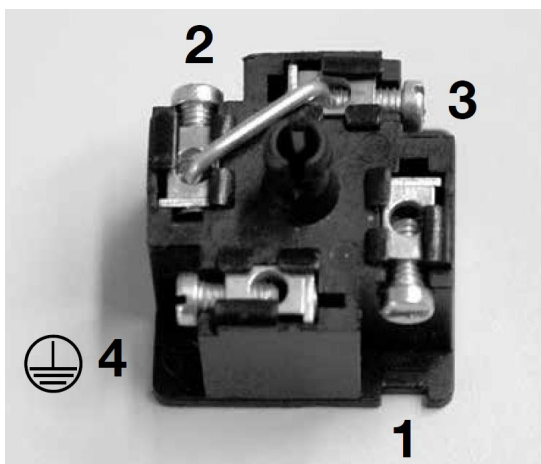


On the black plug, connect the wires as per below instructions:

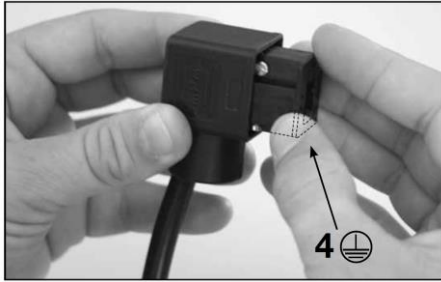
Pin 1 → Connect the **blue** wire.

Pin 2 & Pin 3 are linked together from the factory.

Pin 4 / Earth → Connect the **brown** wire.



Carefully insert the black plug on its housing making sure that PIN 4 is at the bottom and gently pull down the cable to help the plug settling in place. Once it's in, settle in place the rubber seal and the washer and tighten the cable gland.



Insert the protective rubber on the plug.



Connect it on the solar box (black plug) and tighten the screw to secure it in place.

